



EUROPEAN BOWL ASSOCIATION
7th European Bocce Championship U 18 - Single
8th European Bocce Championship U 18 – National Teams
FEDERAZIONE SVIZZERA DI BOCCE / PRO TICINO ZURIGO
Zurich 3 – 6 september 2014



Will be held

Bocciodromo Letzi
Badenerstrasse 526
8048 Zürich

0041 44 492 46 41

+

Si svolgeranno

Bocciodromo Dietikon
Bohnackerstrasse 6
8953 Dietikon

0041 44 741 35 87



EUROPEAN BOWL ASSOCIATION

7th European Bocce Championship U 18 - Single

8th European Bocce Championship U 18 – National Teams

FEDERAZIONE SVIZZERA DI BOCCE / PRO TICINO ZURIGO

Zurich 3 – 6 september 2014



DIRECTION / DIREZIONE

President of EBA	Casarini Bruno 		
Championship Director/Direttore dei Campionati	Blaszczyk Krzysztof 	Supervisor / Supervisore	Amadò Dino 
		Assistent / Assistente	Bizzari Claudio 
Vicedirectors / Vicedirettori		Mattanza Ermes 	Morani Alessandro 
Head referee / Responsabile arbitri	Hablützel Alex 		
Referee / Arbitri	1 Antolini Riccardo  2 Capozza Pasquale  3 Fontana Piercarlo  4 Izzo Pietro  5 Rapaglià Graziella 	6 Basci Rocco  7 Corrado Vito  8 Grob Inge  9 Mastel Guido  10 Rapaglià Natale 	11 Bertuol Claudio  12 Di Vicino Antonio  13 Grotteschi Mario  14 Rapaglià Gianni  15 Varnica Marko 
Recourse Commission / Commissione ricorsi	Amadò Dino 	Casarini Bruno 	Szrapkó Istvan 



EUROPEAN BOWL ASSOCIATION

7th European Bocce Championship U 18 - Single
8th European Bocce Championship U 18 – National Teams
FEDERAZIONE SVIZZERA DI BOCCE / PRO TICINO ZURIGO
Zurich 3 – 6 september 2014



		Head of Delegation Generalmanager Coach	Player 1	Player 2		Player 3	
Germany (GER)		Del Libano Francesco Baur Günther	Militto Alessandro 17.09.1998				
Hungary (HUN)		Fóti Gábor Szrapkó Boglár	Bencze Bernadett 24.09.1997	Fáy Luca 20.09.1997	Vlasits Marcell 29.04.1996		
Italy (ITA)		Taraborrelli Giuseppe D'Alessandro Dante Rosi Rodolfo	Visconti Mattia 06.06.1997	Battistini Fabio 04.02.1998	Miconi Luca 18.12.1996		
Poland (POL)		Jackiewicz Paweł Olkowski Paweł	Bernatek Jan 20.11.1997	Chylinski Krzysztof 25.11.1999			
Russia (RUS)		Kritskaya Marina Kalinichenko Elena	Prozorov Georgii 20.12.1999	Filimonov Kirill 25.02.1996	Poruchikov Roman 12.12.1996		
San Marino (SMR)		Gasperoni Claudio Giommi Giorgio	Frisoni Jacopo 02.02.1996				
Slovakia (SVK)		Šnúrik Ján Soresi Pier Paolo	Šnúrik Mário 23.04.1996	Štolc Tomás 25.01.2000	Paučo Patrik 26.06.1998		
Turkey (TUR)		Turkmen Mutlu Kabakci Alper Cavit	Atalay Hakan 06.01.1997	Gultepe Alper 14.06.1998	Kilic Ufuk 30.05.1997		
Switzerland (SUI)		Lucchini Donato Fiocchetta Roberto	Gianinazzi Aramis 15.09.1996	Donati-Berri Vasco 18.06.1998	Valsangiacomo Davide 29.03.1996		
Director of Championship		Błaszczęć Krzysztof (POL)					
Assistant Directors				Mattanza Ermes (SUI)	Morani Alessandro (ITA)		
Member of appeal-commission		Amadò Dino (SUI)		Casarini Bruno (ITA)	Szrapkó Istvan (HUN)		





EUROPEAN BOWL ASSOCIATION
 7th European Bocce Championship U 18 - Single
 8th European Bocce Championship U 18 – National Teams
FEDERAZIONE SVIZZERA DI BOCCE / PRO TICINO ZURIGO
 Zurich 3 – 6 september 2014



DRAW / SORTEGGIO

**Nations in
alphabetical order**

Hungary	HUN	
Italy	ITA	
Poland	POL	
Russia	RUS	
Slovakia	SVK	
Switzerland	SUI	
Turkey	TUR	

Germany	GER	
San Marino	SMR	

Single			
1			
2			
3			
4			
5			
6			
7			

8			
9			

Team			
1			
2			
3			
4			
5			
6			
7			

Signature

Bruno Casarini, Pres. EBA

Dino Amadò, Pres. ETC

Krzysztof Blaszczyk, DC



EUROPEAN BOWL ASSOCIATION

7th European Bocce Championship U 18 - Single

8th European Bocce Championship U 18 – National Teams

FEDERAZIONE SVIZZERA DI BOCCE / PRO TICINO ZURIGO

Zurich 3 – 6 september 2014



Piano allenamenti / Trainings Plan

9

Schema utilizzo corsie per gli allenamenti ufficiali Schedule for official trainings

Giorno Day	ore time	Corsia 1 Lane 1	Corsia 2 Lane 2	Corsia 3 Lane 3	Corsia 4 Lane 4	Corsia 5 Lane 5	Corsia 6 Lane 6	Corsia 7 Lane 7	Corsia 8 Lane 8
02.09.2014	19.00	Istruzione Arbitri / Briefing Referees							
03.09.2014	16.00	Riunione dei tecnici - Technical meeting							
	17.00	Inaugurazione e presentazione squadre / Opening ceremony and team presentation							
	18.00	Sorteggio / Draw							
	20.00	Nation A	Nation B	Nation C	Nation D	Nation E	Nation F	Nation G	Nation H
	20.10	Nation D	Nation A	Nation B	Nation C	Nation H	Nation E	Nation F	Nation G
	20.20	Nation C	Nation D	Nation A	Nation B	Nation G	Nation H	Nation E	Nation F
	20.30	Nation B	Nation C	Nation D	Nation A	Nation F	Nation G		Nation E
	20.40	Nation I							
	20.50		Nation I			Nation A	Nation B	Nation C	Nation D
	21.00			Nation I		Nation D	Nation A	Nation B	Nation C
	21.10				Nation I	Nation C	Nation D	Nation A	Nation B
	21.20	Nation E	Nation F	Nation G	Nation H	Nation B	Nation C	Nation D	Nation A
	21.30	Nation H	Nation E	Nation F	Nation G	Nation I			
	21.40	Nation G	Nation H	Nation E	Nation F		Nation I		
21.50	Nation F	Nation G	Nation H	Nation E				Nation I	

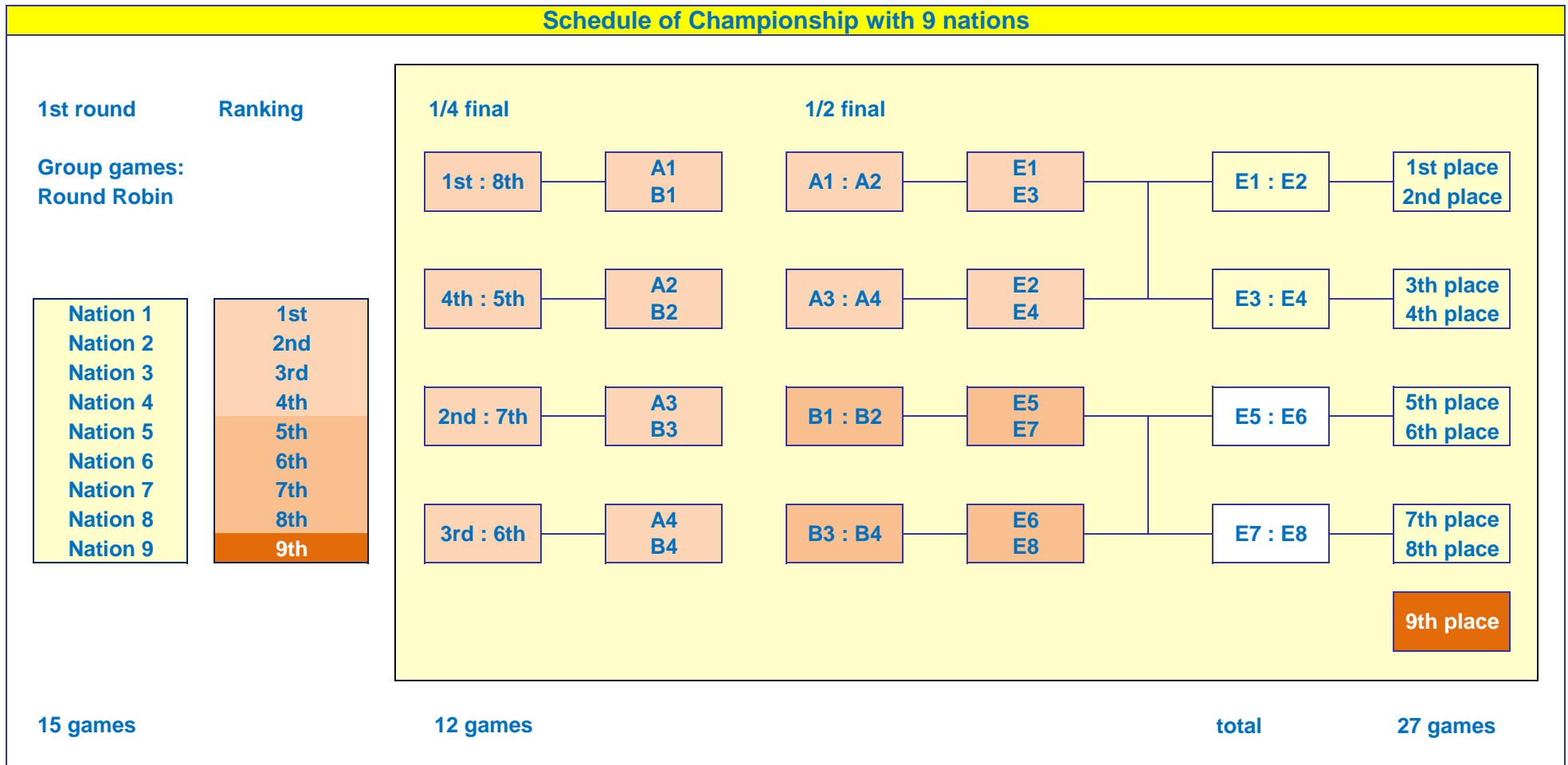
Nazioni / Nations

A	RUSSIA
B	SLOVAKIA
C	TURKEY
D	HUNGARY
E	SWITZERLAND
F	POLAND
G	ITALY
H	GERMANY
I	SAN MARINO



EUROPEAN BOWL ASSOCIATION

7th European Bocce Championship U 18 - Single
 8th European Bocce Championship U 18 – National Teams
 FEDERAZIONE SVIZZERA DI BOCCE / PRO TICINO ZURIGO
 Zurich 3 – 6 september 2014





EUROPEAN BOWL ASSOCIATION

7th European Bocce Championship U 18 - Single
 8th European Bocce Championship U 18 – National Teams
 FEDERAZIONE SVIZZERA DI BOCCE / PRO TICINO ZURIGO
 Zurich 3 – 6 september 2014



Schedule of Championship with 7 nations

1st round

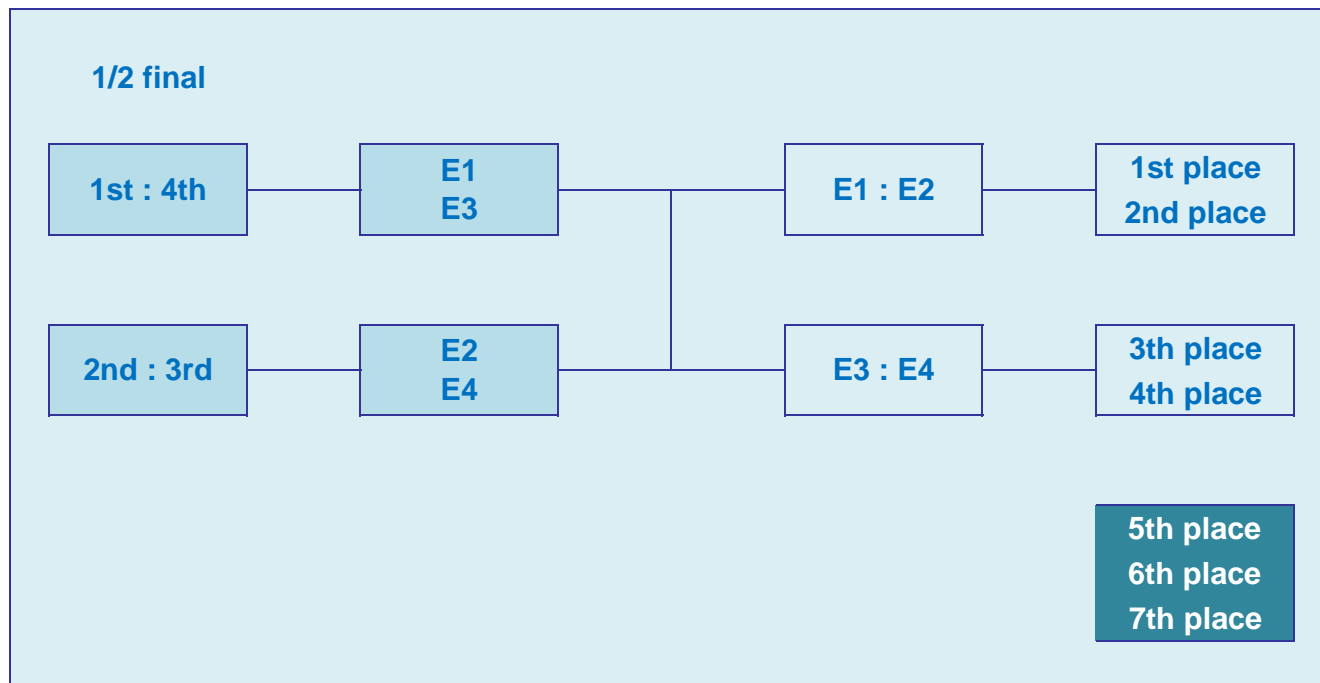
Ranking

Group games:
Round Robin

Nation 1
Nation 2
Nation 3
Nation 4
Nation 5
Nation 6
Nation 7

1st
2nd
3rd
4th
5th
6th
7th

1/2 final



21 encounters = 63 games

4 encounters = 12 games

total

75 games



EUROPEAN BOWL ASSOCIATION

7th European Bocce Championship U 18 - Single

8th European Bocce Championship U 18 – National Teams

FEDERAZIONE SVIZZERA DI BOCCE / PRO TICINO ZURIGO

Zurich 3 – 6 september 2014



Games list / Elenco Partite

Day Giorno	time ore	G	Lane / Corsia 1	G	Lane / Corsia 2	G	Lane / Corsia 3	G	Lane / Corsia 4	G	Lane / Corsia 5	G	Lane / Corsia 6	G	Lane / Corsia 7	G	Lane / Corsia 8
Bocciodromo LETZI									Bocciodromo DIETIKON								
04.09.2014	8.30	1	C 1 : 6			4	S 1 7 : 8			6	C 3 : 4			9	C 2 : 3		
	9.30	2	S 1 1 : 6	3	S 2 1 : 6			5	S 1 7 : 9	7	S 1 3 : 4	8	S 2 3 : 4	10	S 1 2 : 5	11	S 2 2 : 5
	10.30			12	S 1 8 : 9												
	13.00	13	C 5 : 7			16	C 2 : 3						19	S 1 6 : 8	21	C 1 : 4	
	14.00	14	S 1 5 : 7	15	S 2 5 : 7	17	S 1 2 : 3	18	S 2 2 : 3	20	S 1 6 : 9			22	S 1 1 : 4	23	S 2 1 : 4
	16.00			24	S 1 5 : 8	26	C 4 : 6			29	C 1 : 2			32	C 3 : 7		
	17.00	25	S 1 5 : 9			27	S 1 4 : 6	28	S 2 4 : 6	30	S 1 1 : 2	31	S 2 1 : 2	33	S 1 3 : 7	34	S 2 3 : 7
	19.30	35	C 2 : 6			38	C 1 : 7			41	C 3 : 5	44	S 1 4 : 9				
	20.30	36	S 1 2 : 6	37	S 2 2 : 6	39	S 1 1 : 7	40	S 2 1 : 7	42	S 1 3 : 5	43	S 2 3 : 5			45	S 1 4 : 8
	05.09.2014	13.00	46	S 1 3 : 8			48	C 2 : 3			51	C 1 : 7			54	C 1 : 3	
14.00				47	S 1 3 : 9	49	S 1 2 : 4	50	S 2 2 : 4	52	S 1 6 : 7	53	S 2 6 : 7	55	S 1 1 : 5	56	S 2 1 : 5
16.00		57	C 4 : 5			60	C 3 : 6							64	C 2 : 7	67	S 1 1 : 9
17.00		58	S 1 4 : 5	59	S 2 4 : 5	61	S 1 3 : 6	62	S 2 3 : 6	63	S 1 1 : 8			65	S 1 2 : 7	66	S 2 2 : 7
18.30		68	C 1 : 3			71	S 1 2 : 9			73	C 4 : 7			76	C 5 : 8		
19.30		69	S 1 1 : 3	70	S 2 1 : 3			72	S 1 2 : 8	74	S 1 4 : 7	75	S 2 4 : 7	77	S 1 5 : 6	78	S 2 5 : 6
21.00		79	S 1 1st : 8th	80	S 1 2nd : 7th	81	S 1 3rd : 6th	82	S 1 4th : 5th								
22.00						83	S 1 B3 : B4	84	S 1 B1 : B2								
06.09.2014	9.00			85	C 1st : 4th			88	C 2nd : 3rd								
	10.00	87	S 2 1st : 4th	86	S 1 1st : 4th	90	S 2 2nd : 3rd	89	S 1 2nd : 3rd								
	11.00	91	S 1 E5 : E6	92	S 1 E7 : E8	93	S 1 A1 : A2	94	S 1 A3 : A4								
	13.30	95	C E1 : E2			98	C E3 : E4										
	14.30	96	S 1 E1 : E2	97	S 2 E1 : E2	99	S 1 E3 : E4	100	S 2 E3 : E4								
	15.30	101	S 1 E3 : E4	102	S 1 E1 : E2												
16.30		Medal Ceremony / Premiazione															

- G = Game / Partita
- = Single games, valid for the EC for National teams.
 - = Double games, valid for the EC for National teams.
 - = Single games valid for the EC singles.

- = Partite individuali valide per il CE a squadre
- = Partite a coppie valide per il CE a squadre
- = Partite valide per il CE individuale